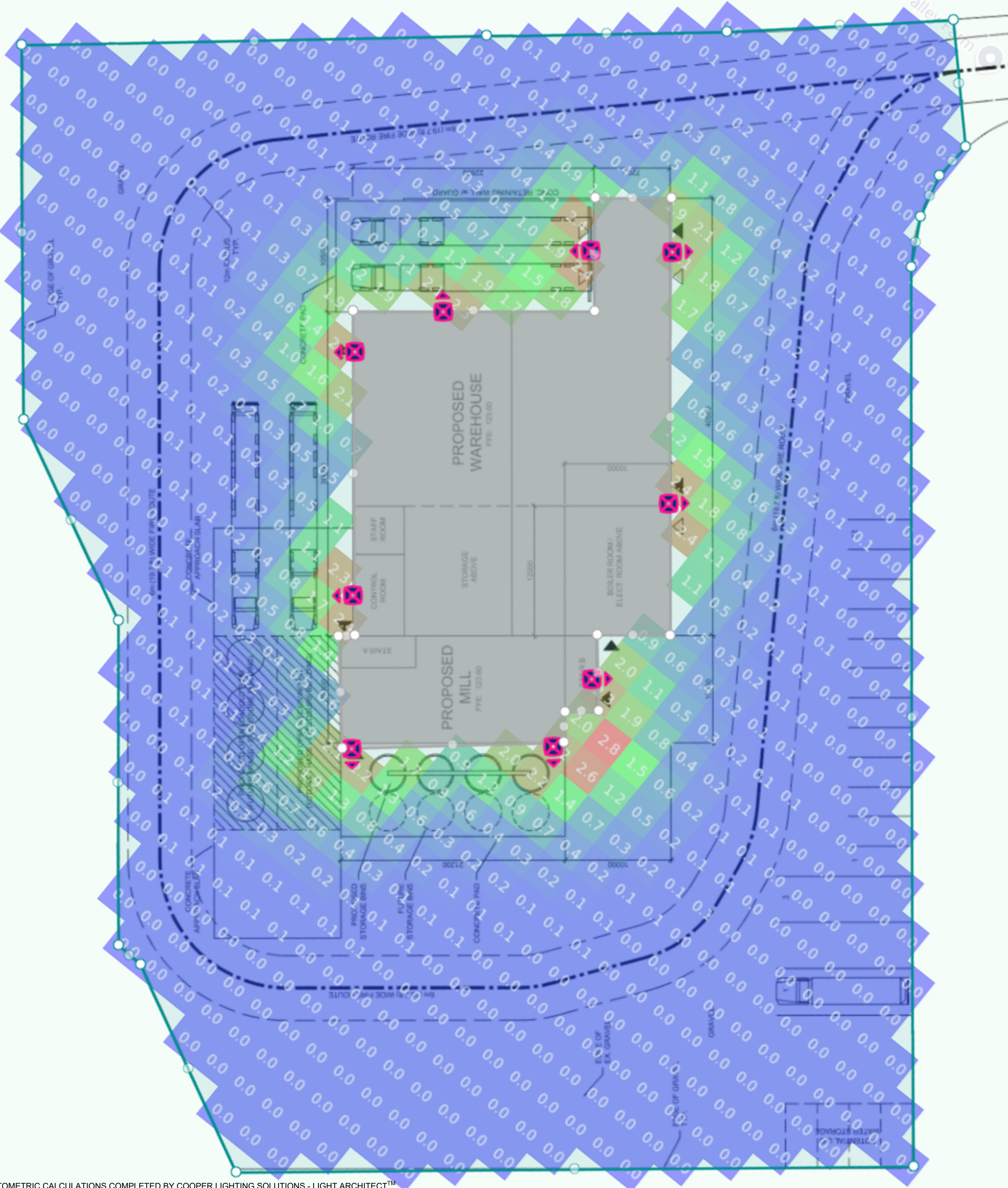


GRID DIMENSIONS: 10' X 10'



PHOTOMETRIC CALCULATIONS COMPLETED BY COOPER LIGHTING SOLUTIONS - LIGHT ARCHITECT™

Location	Latitude	Longitude
4361 Ashton Station Rd, Ottawa, ON K0A 1B0, Canada	45.195953319470576	-76.13113294748031

Stat Area	Calc Type	Units	Avg	Max	Min	Avg/Min	Max/Min
label	illuminance	FC	0.29	2.85	0.00	--	--

Label	Luminaire Name	Catalog No	Qty	Config	Luminaire Watts	Config Watts	Lumens	LLF	MH
A	WKP Wal-Pak Full Cut-Off	WKP6BLEDEDFC	9	Single	46.4W	46.4W	3,192	0.864	20 ft
Total			9 Fixtures		418		28,728		

Loc	Luminaire	Heads	X	Y	Z	Orient	Tilt
1	WKP6BLEDEDFC	1	372.56'	172.44'	20'	50°	0°
2	WKP6BLEDEDFC	1	261.98'	142.10'	20'	230°	0°
3	WKP6BLEDEDFC	1	304.77'	196.23'	20'	230°	0°
4	WKP6BLEDEDFC	1	331.71'	230.36'	20'	140°	0°
5	WKP6BLEDEDFC	1	375.88'	194.16'	20'	140°	0°
6	WKP6BLEDEDFC	1	314.45'	63.84'	20'	50°	0°
7	WKP6BLEDEDFC	1	358.33'	120.03'	20'	50°	0°
8	WKP6BLEDEDFC	1	296.31'	77.97'	20'	230°	0°
9	WKP6BLEDEDFC	1	274.64'	117.62'	20'	320°	0°

Catalog Number	Lumens	Power Consumption (Watts)	B.U.G. Rating	Correlated Color Temperature CCT (Kelvin)	Color Rendering Index (CRI)
Full Cutoff Door (FC)					
WKP6BLEDEDFC-7040	3,197	47W	B1-U0-G1	4000K	73

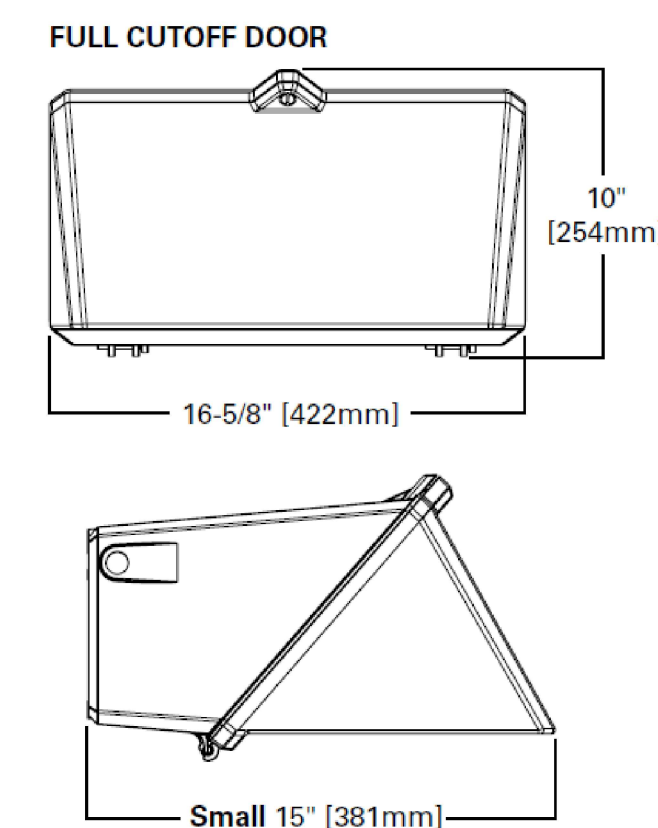
Light Engine	3B	4B	6B
Nominal Power (Watts)	27W	32W	46W
Input Current @ 120V (A)	0.24	0.28	0.40
Input Current @ 208V (A)	0.14	0.18	0.23
Input Current @ 240V (A)	0.13	0.15	0.20
Input Current @ 277V (A)	0.11	0.13	0.18
Input Current @ 347V (A)	0.09	0.11	0.15
Input Current @ 480V (A)	0.10	0.12	0.14

Ambient Temperature	TM-21 Lumen Maintenance (72,000 Hours)*	Theoretical L70 (Hours)
25°C >	93%	>340,000
40°C >	92%	>316,000

*Per TM-21 data.

Ambient Temperature	Lumen Multiplier
10°C	1.07
15°C	1.04
25°C 1	1.00
40°C 0	0.94

Product Family	Lamp Wattage ¹	Lamp Type	Driver Type	Voltage ²	Door/Lens Type	Color
WKP=Wal-Pak BAA-WKP=Wal-Pak Buy American Act Compliant* TAA-WKP=Wal-Pak Trade Agreements Act Compliant*	LED 3B=(3 Package), 27W 4B=(4 Package), 32W 6B=(6 Package), 46W	LED=Solid State Light Emitting Diodes	E=Electronic LED Dimming (0-10V) Driver	9=347V ³ 8=480V ³ U=Universal (120-277V)	GL=Borosilicate Glass Door FC=Full Cutoff Door	AP=Gray BZ=Bronze BK=Black WH=White
Options (Add as Suffix)				Accessories (Order Separately) ⁴		
7030=70 CRI / 3000K CCT 7040=70 CRI / 4000K CCT 5=Non NEMA Photocontrol (Must Specify Voltage) B=Two-Position Terminal Block 10MSP=Parallel 10kV MOV Surge Protection Device 20MSP=Parallel 20kV MOV Surge Protection Device Dxxxx=DOT configuration - contact factory quotes team Uxxxx=Utility configuration - contact factory quotes team				WG/WPGL=Wire Guard Borosilicate Glass Lens Door WG/WPC=Wire Guard Full Cutoff Door TR/WP=Tamper resistant Screw and Bit VS/WPGL=Polycarbonate Vandal Shield for Borosilicate Glass Lens Door		



- DRAWING INFORMATION:
- Luminaire mounting heights as per Location Summary "Z" Coordinate
 - Refer to Site Plan completed by Witzel Dyce Engineering Inc. Completed September 9th 2024 for further Site Information



SCALE: NTS

01	Development Permit Subm.	RD	22 NOV 2023
No.	REVISIONS	BY	DATE

OWNER
Ottawa Valley Grain Products Inc.

PROJECT
4361 Appleton Side Road
Grain Mill

DRAWING TITLE
PRELIMINARY SITE LIGHTING PLAN

DATE
26 SEPT 2024

SLP